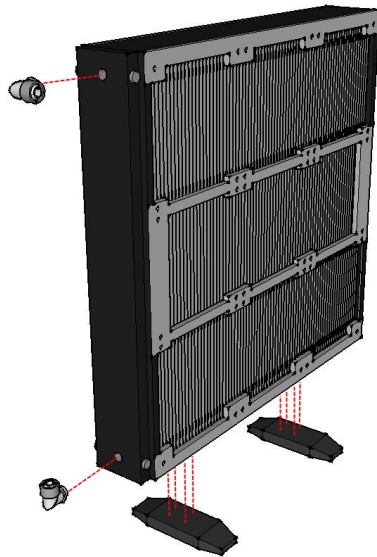


Cooling Module Instructions

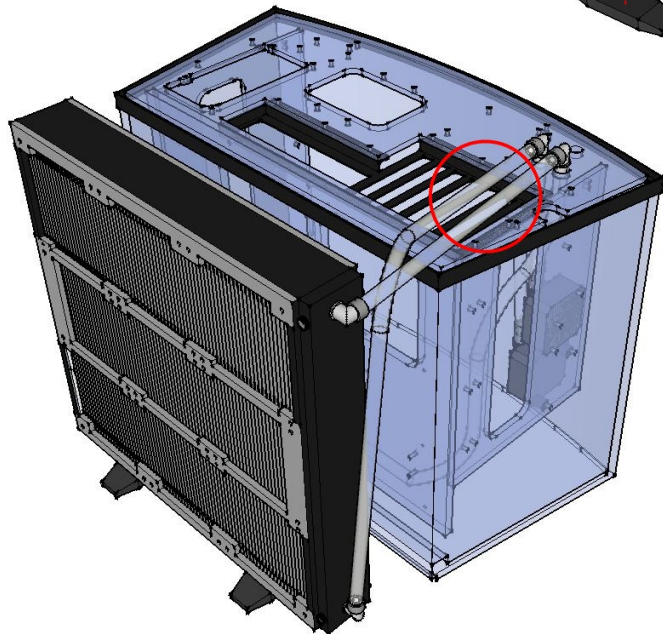
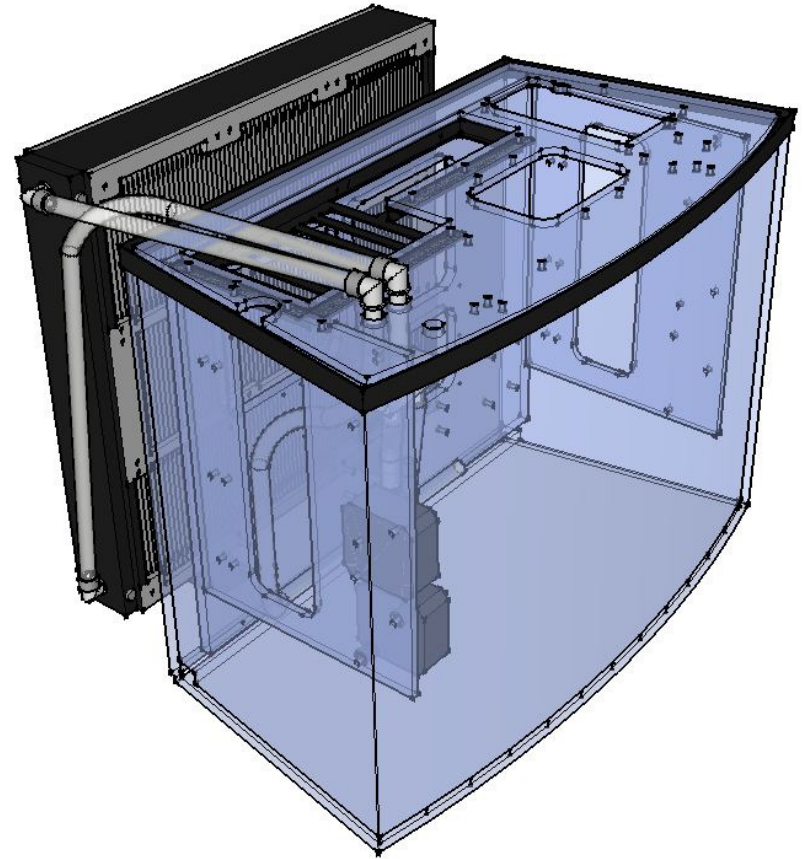
- 1) Install 120mm fans onto radiator
- 2) Install 90° barbs onto top of radiator
- 3) Secure radiator mounts to the bottom of the radiator
- 4) Install tubing from the radiator barbs to the barbs on the top of the aquarium tray

Optional Quick Disconnects

Quick disconnects can be installed with the male or female components facing either direction. Install each two-piece kit onto separate tubes keeping the quick disconnects close to the aquarium tray barbs (see picture below for suggested location).



Puget Systems Aquarium Kit V3: Aquarium+Cooling Module



WARNING

Submerging your hardware in mineral oil will void your warranty. Do this project only at your own risk. Puget Systems is not liable for any hardware problems or damage to your personal property. Mineral oil is very difficult, if not impossible to clean from your components once they are submerged.

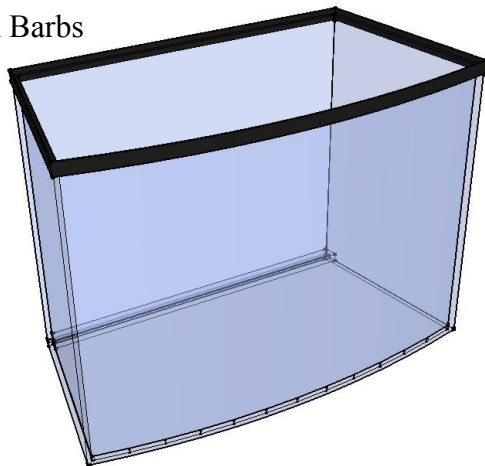
Please be sure to inspect your aquarium parts for shipping damage before installation. In particular, we recommend filling the acrylic tank with water and checking for leaks before proceeding.

Aquarium Kit V3 Included Items

- Eclipse System 12 Aquarium Tank
- Aquarium Tray V3
- Power/HDD LEDs
- Power Switch
- PCI SATA/Power Pass Through
- 2 x 3" Handles
- 14 x Motherboard Standoffs
- 14 x Motherboard Screws
- 7 x PCI Card Screws
- 4 x Power Supply Screws
- 4 x Hard Drive Mount Standoffs (Additional 4 standoffs provided with each additional SATA bracket purchased)

Cooling Module V3 Included Items

- 3x3 Radiator
- 2 x Radiator Mounts
- 2 x Submersible Pumps
- 2 x Primary Pump Mounting Screws
- 2 x Secondary Pump Mounting Screws
- 2 x Secondary Pump Spacers
- 1 x Universal Tubing Splitter
- 36 x Fan Screws
- 2 x 1/2" Pass-Through Barbs
- 4 x 1/2" 90° Barbs
- 2 x 3/8" Barbs
- 1 x 1/2" Barb
- All Necessary Tubing



Light Kit and Hard Drive Instructions

- 1) Secure light bar and inverter box to their appropriate location using zip ties or adhesive tape. Do not use adhesive with rubber components as mineral oil will degrade the rubber over time.
- 2) Install threaded plastic standoffs into the screw holes on the bottom of the hard drive(s).
- 3) Once all internal hardware is installed onto the acrylic tray (motherboard, PSU, GPU, etc.), mount the drive(s) in the locations shown in the pictures below .

