

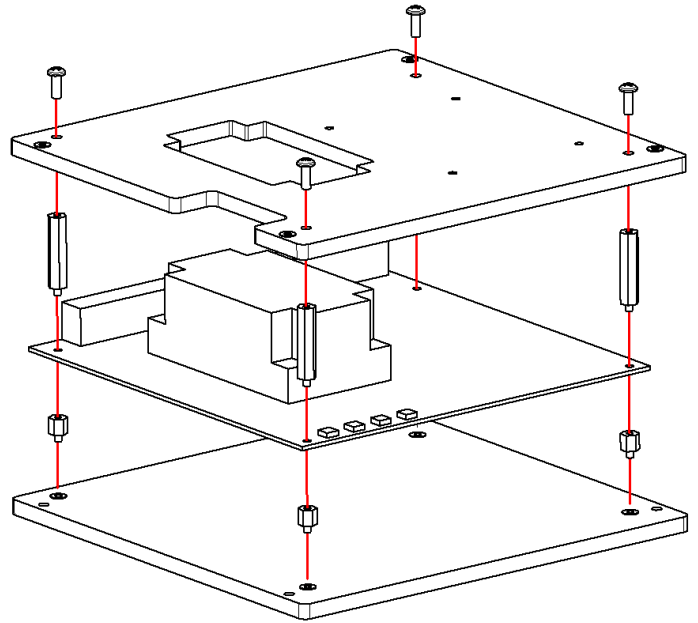
Acrylic Enclosure for NVIDIA Jetson TX1



Assembly Instructions

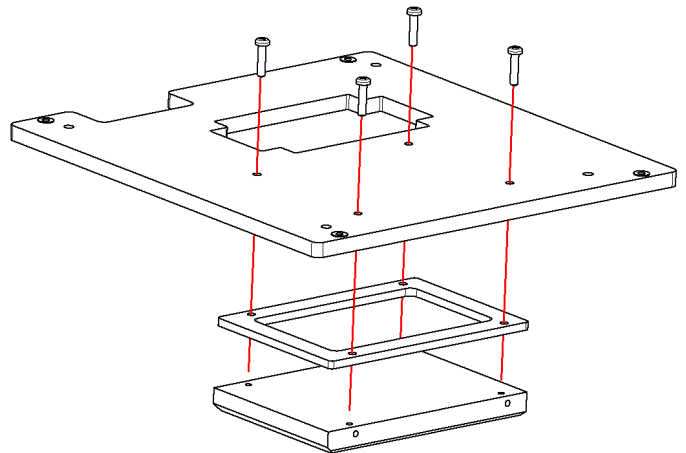
Basic Assembly:

- Install 1/4" standoffs onto the bottom acrylic panel
- Place Jetson TX1 over the standoffs
- Screw the 1/4" standoffs through the Jetson TX1 board, directly into the bottom standoffs
- If installing a 2.5inch drive, view the *2.5inch Drive Installation* section below before proceeding
- Secure top cover with 3/8" #6-32 screws
- Install the included rubber feet on the underside of the bottom panel



2.5inch Drive Installation:

- Before installing the top cover, secure the drive to the underside of the top panel with the four 12mm M3x0.5 screws
- Be sure to use the included acrylic spacer (necessary due to the height of the SATA extension cable)
- With the drive secured, use the included SATA data/power extension cable to connect the drive to the Jetson TX1



Stacking Multiple Kits:

- If you have multiple kits you wish to stack, we have included the hardware necessary to do so
- Between the kits, line up the acrylic spacer with the four tapped holes on the top panel of the lower kit
- Using the four 3/4" #6-32 socket cap screws, screw through the bottom panel of the upper kit and the acrylic spacer into the top panel of the lower kit
- Rubber feet are not necessary for any stacked kits

